

# LMD-2110MD

Medical LCD Monitor

**SONY**  
make.believe

Sony introduces a new medical LCD monitor – the LMD-2110MD – which complies with medical safety standards and EMC standards while maintaining an excellent cost: performance ratio.

Equipped with a 21.5-inch\* full-HD (1920 x 1080 pixels) high-resolution LCD panel, the LMD-2110MD delivers crisp high-definition (HD) images. Combined with a 10-bit digital signal processing system, this monitor offers stunning and smooth grayscale.

The LMD-2110MD is equipped with conventional versatile analog input interfaces and an HDMI input, which can accept HD signals up to 1080/60p. In addition, this monitor can input HD/SD-SDI signals using the optional BKM-341HS input adaptor.

These features and benefits make this monitor a perfect cost-effective choice for a wide range of applications in healthcare settings.

\* 547 mm viewing area, measured diagonally.



## Safety Listing and Compliance

The LMD-2110MD is UL60601-1-listed and complies with CSA C22.2 No.601-1 and EN 60601-1 safety standards and EMC standards, making it suitable for use in a wide range of professional medical applications.

## 21.5-inch Full-HD (1920 x 1080 pixels) Resolution, 10-bit Signal Processing

Incorporating precisely manufactured high-purity RGB color filters and a high-speed response LCD panel, the LMD-2110MD delivers accurate color reproduction and stunningly lifelike crisp images. All SD and HD input signals are converted into 10-bit digital signals without any picture deterioration via full digital imaging circuitry. This 10-bit signal processing achieves significant signal-to-noise ratio (SNR) improvement and smooth grayscale compared to 8-bit data processing.



8-bit (256-level) image



10-bit (1024-level) image

\* Simulated images

## Wide Range of Standard Input Interfaces

The LMD-2110MD is equipped with a full range of analog inputs including a composite, Y/C (S-Video), analog component, and RGB. Also included is an HDMI, which can accept HD digital signals up to 1080/50p and 60p. DVI signals can be input via the HDMI input connector using a conversion cable.

## Optional HD-SDI Interface

In addition, this monitor supports HD-SDI input with an optional BKM-341HS HD/SD-SDI input adaptor. This input versatility allows the LMD-2110MD monitor to flexibly connect to HD-SDI digital environments.



Connector panel with the optional BKM-341HS

## Compact Design – Portable and Flexible

Unlike CRT monitors, terrestrial magnetic fields have no influence on LCD monitors. This means the LMD-2110MD can be carried and used in any position and location. With the standard monitor stand, users can set the monitor anywhere and use it immediately. The LMD-2110MD provides VESA™-standard mounting holes with 100 mm pitch, and is flexible enough to install with a VESA arm and on a medical cart.



VESA mounting holes



Arm-installation image

## Other Features

- Conventional functions, including Contrast, Brightness, Chroma, Phase control, and Color temperature setting
- Menu screen with seven selectable languages
- Scan setting (Normal (0%), Over (5%), Full scan)
- Standard monitor stand with tilt function
- External parallel remote control

## Specifications

LMD-2110MD	
<b>Picture Performance</b>	
Type	α-Si TFT Active Matrix LCD
Resolution	1920 x 1080 pixels (Full HD)
Effective picture size (H x W) (diagonal)	477 x 268 mm (18 7/8 x 10 5/8 inches), 547 mm (21 5/8 inches)
Aspect	16:9
Colors	Approx. 16.7 million colors
Viewing angle (LCD panel specification)	170°/160° (typical) (horizontal/vertical contrast > 10:1)
<b>Input</b>	
Composite	BNC (x1), 1.0 Vp-p ±3 dB sync negative
Y/C	Mini DIN 4-pin (x1) Y: 1.0 Vp-p ±3 dB sync negative, C: 0.286 Vp-p ±3 dB (NTSC burst signal level), 0.3 Vp-p ±3 dB (PAL burst signal level)
RGB, Component	BNC (x3) RGB: 0.7 Vp-p ±3 dB (Sync On Green, 0.3 Vp-p sync negative) Component: 0.7 Vp-p ±3 dB (75% chrominance standard color bar signal)
HDMI	HDMI (x1)
Audio	Phono jack (x2), -5 dBu 47 kilohms or higher OPTION AUDIO IN: Phono jack (x1), -5 dBu 47 kilohms or higher
External sync	BNC (x1) 0.3 Vp-p to 4.0 Vp-p ±bipolarity ternary or negative polarity binary
Option in connector	D-sub 9-pin (x1), female
Parallel remote	Modular connector 8-pin (x1) (pin-assignable)
<b>Output</b>	
Composite	BNC (x1), loop-through, with 75 ohms automatic termination
Y/C	Mini DIN 4-pin (x1), loop-through, with 75 ohms automatic termination
RGB, Component	BNC (x3), loop-through, with 75 ohms automatic termination
External sync	BNC (x1), loop-through, with 75 ohms automatic termination
Audio monitor out	Phono jack (x2), loop-through
Speaker (built-in)	0.5 W (mono)
<b>General</b>	
Power requirements	AC 100 V to 240 V, 50/60 Hz
Power consumption	Maximum: approx. 60 W, 1.0 A to 0.5 A
Operating temperature	0°C to 35°C (32°F to 95°F) Recommended: 20°C to 30°C (68°F to 86°F)
Operating humidity	30% to 85% (no condensation)
Storage and transport temperature	-20°C to +60°C (-4°F to +140°F)
Storage and transport humidity	0% to 90%
Operating, storage and transport pressure	700 hPa to 1060 hPa
Dimensions (W x H x D) (with stand)	515 x 403 x 264 mm (20 3/8 x 15 7/8 x 10 1/2 inches)
Dimensions (W x H x D) (without stand)	515 x 355 x 86 mm (20 3/8 x 14 x 3 1/2 inches)
Mass	8.6 kg (18 lb 15 oz)
Mass (without stand)	6.9 kg (14 lb 19 oz)
Supplied accessories	AC power cord (1), AC plug holder (2), Instructions for Use (1), CD-ROM (1), Using the CD-ROM Manual (1), Quick Reference (1), When you First Use the Monitor (1), Sales Companies Guide (1), Warranty book (1)

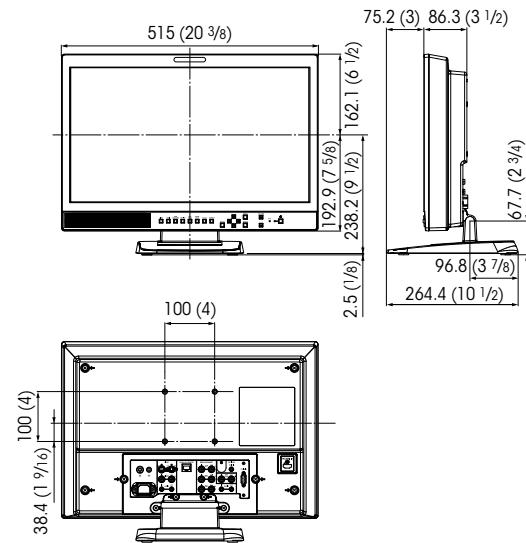
## Optional Accessory



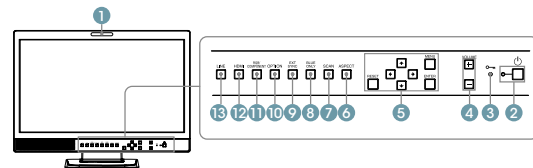
**BKM-341 HS**  
HD/SD-SDI input adaptor

## Dimensions

Unit: mm (inches)

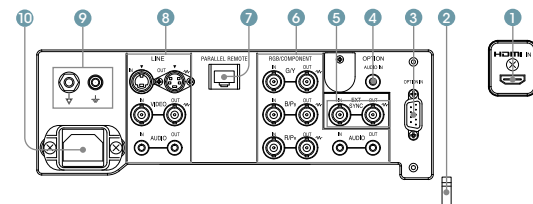


## Front Panel



- 1 Tally lamp
- 2 Standby switch and indicator
- 3 KEY INHIBIT indicator
- 4 VOLUME buttons
- 5 Menu operation buttons
- 6 ASPECT select button
- 7 SCAN select button
- 8 BLUE ONLY button
- 9 EXT SYNC (external sync) button
- 10 OPTION button
- 11 RGB/COMPONENT button
- 12 HDMI button
- 13 LINE

## Connector Panel



- 1 HDMI IN connector
- 2 HDMI cable holder
- 3 OPTION In connector
- 4 OPTION AUDIO In (Phono jack)
- 5 EXT SYNC In/Out (external sync) (BNC)
- 6 RGB/COMPONENT (BNC), Audio (Phono jack)
- 7 PARALLEL REMOTE (modular connector)
- 8 LINE [composite (BNC), Y/C (Mini DIN 4-pin), Audio (Phono jack)]
- 9 EARTH connectors
- 10 AC In

## Distributed by

©2011 Sony Corporation. All rights reserved.  
Reproduction in whole or in part without written permission is prohibited.  
Features and specifications are subject to change without notice.

Screen images are simulated.

The values for mass and dimension are approximate.  
"SONY" and "make.believe" are trademarks of Sony Corporation.

HDMI is a trademark of HDMI Licensing, LLC.  
All other trademarks are the properties of their respective owners.

This catalog is published for a worldwide audience and, as such,  
cannot reflect country-specific standards and regulations.