



Multi-Modality Monitor

RadiForce® RX1270

# The Shape of Comfort



# The Shape of Comfort

Compact 12 megapixel multi-modality monitor packed full of features to improve comfort and work efficiency.

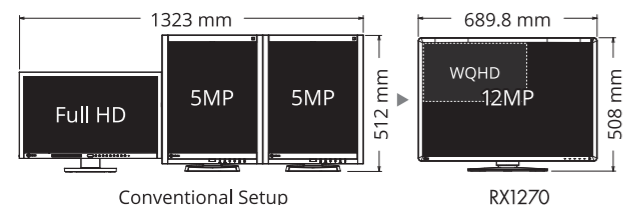
## Streamline Your Workflow

Display various images on an ultra-high resolution 12 megapixel (4200 x 2800 pixels) single screen with the freedom of image layout. It provides streamlined visibility compared with multi-monitor environments, leading to greater efficiency.



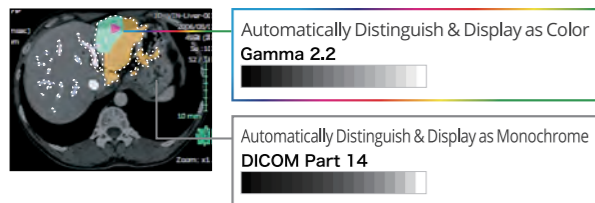
## Compact and Feature-Packed

The monitor realizes the ultra-high resolution of 12 megapixels on a 30.9-inch screen. The new design is more compact compared to two conventional 5 megapixel monitors used side by side. This all while including a built-in comfort light and internal power supply that do not impose on the workspace.



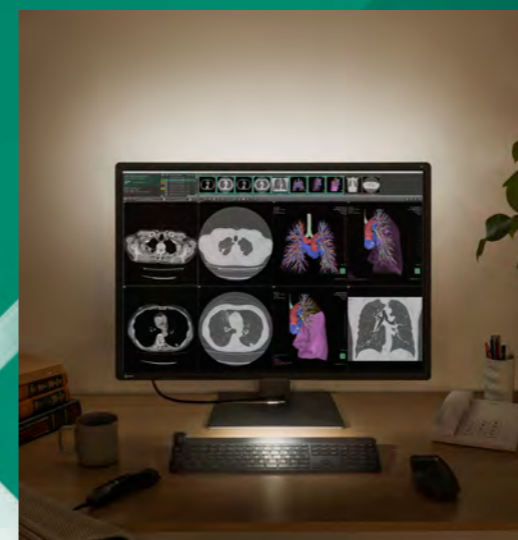
## Display Both Monochrome and Color

The Hybrid Gamma PXL function automatically distinguishes between monochrome and color images pixel by pixel, creating a hybrid display where each pixel has optimum grayscale. This ultimately improves efficiency by allowing both monochrome and color images to be viewed on one screen.



## Eye Relief with Comfort Light

The built-in comfort light gently illuminates the wall behind the monitor without interfering with the wall behind the monitor without interfering with the low ambient lighting typical of reading rooms. This reduces the contrast between the wall and monitor to prevent eye fatigue without creating glare on the screen.



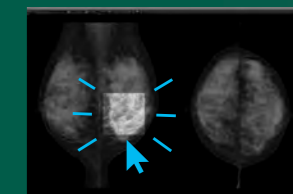
## Easily Navigate Your Workspace

It is also equipped with a spotlight which allows you to see printed documents or your keyboard. The position can be easily adjusted in order to achieve the ideal lighting.

## Work-and-Flow

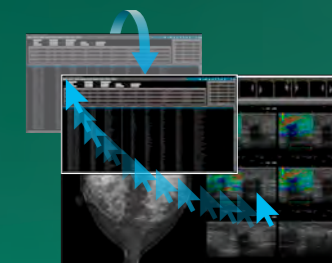
### Quickly Pinpoint Focus Areas

With the Point-and-Focus function, you can quickly select and focus areas of your concern with just your mouse and keyboard. Change the brightness and grayscale tones of certain points on the screen to make interpretation easier.



### Quick Information Referencing

The Hide-and-Seek function enables users to easily hide the PinP (Picture in Picture) window not currently in use and reopen as needed by moving the mouse cursor to the edge of the screen. This eliminates the need for an extra monitor while still allowing quick and efficient viewing of reports or patient charts.



### Barrier-Free Workstyle

The Switch-and-Go function allows USB switching through the monitor, enabling the use of a single keyboard and mouse across two connected PCs. This is convenient for dual-monitor/PC environments, or when changing inputs on a single monitor connected to two PCs. Furthermore, you can use Switch-and-Go with Hide-and-Seek to display the screen of a notebook PC (connected via HDMI) as a separate window on the monitor. The window can be hidden or shown on command using a single mouse and keyboard for quick access to more information.



# RadiForce® RX1270

## Achieve Clarity True to the Source Data

A medical monitor needs to be capable of high brightness in order to meet performance standards. However, in order to achieve high brightness in an LCD panel, the pixel aperture ratio has to be increased. This causes a typically unavoidable decline in sharpness. With EIZO's unique Sharpness Recovery technology, the decrease in sharpness (MTF) is restored. This allows you to display an image safely on the monitor that is true to the original source data, even at high brightness levels.

## Variations for Specific User Needs

EIZO offers anti-glare (AG) and anti-reflection (AR) screen variations to suit user environments. AG treatment is ideal for exceptionally bright environments and drastically reduces glare from ambient lighting. AR treatment is ideal for moderately-lit environments to reduce mild screen glare while maintaining crisp text and images.

## Clear, High Density Images

With 0.1554 mm pixel pitch, high-density, high-definition image is achieved without appearing grainy.

## One-Cable Connection

With DisplayPort 1.4, a 12 megapixel signal can be supported at 60 frames per second using a single cable between the monitor and the workstation.

## Make the Precise Diagnosis

EIZO carefully measures and sets each grayscale tone to create a monitor compliant with DICOM Part 14. This ensures the most consistent shading possible, allowing for the most accurate diagnosis.

## Manage Effortless Quality Control

With the RadiCS LE software (included) and Integrated Front Sensor (IFS) built into the front bezel, you can easily calibrate to DICOM Part 14 without having to mount and remove an external sensor.

## Rest Assured with Medical Qualifications

The monitors meet the strictest medical, safety, and EMC emission standards.

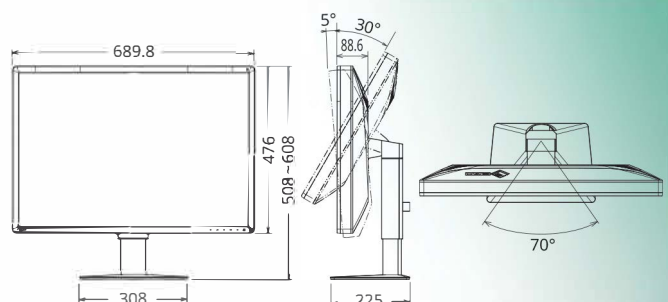
## Warranty with Safety and Trust

EIZO and its authorized distributors offer a five-year limited warranty.

## Specifications

Model Variations		RX1270-BK: Anti-Glare coating, with stand, black RX1270-ARBK: Anti-Reflection coating, with stand, black
Panel	Type	Color (IPS)
	Backlight	LED
	Size	78.4 cm / 30.9"
	Native Resolution	4200 x 2800 (3:2 aspect ratio)
	Viewable Image Size (H x V)	652.7 x 435.1 mm
	Pixel Pitch	0.1554 x 0.1554 mm
	Display Colors	10-bit (DisplayPort): 1.07 billion from a palette of 543 billion (13-bit) colors 8-bit: 16.77 million from a palette of 543 billion (13-bit) colors
	Viewing Angles (H / V, typical)	178° / 178°
	Brightness (typical)	1200 cd/m <sup>2</sup>
	Recommended Brightness for Calibration	500 cd/m <sup>2</sup>
Video	Input Terminals	DisplayPort x 2, HDMI
	Digital Scanning Frequency (H / V)	31 - 175 kHz / 29 - 61 Hz
USB	Upstream	USB 2.0: Type-B x 2
	Downstream	USB 2.0: Type-A x 3
Power	Power Requirements	AC 100 - 240 V: 50 / 60 Hz
	Typical Power Consumption	77 W
	Maximum Power Consumption	188 W
	Power Save Mode	2 W or less
Sensor		Backlight Sensor, Integrated Front Sensor, Ambient Light Sensor
Features & Functions	Brightness Stabilization	Yes
	Digital Uniformity Equalizer	Yes
	Hybrid Gamma PXL	Yes
	Work-and-Flow	Hide-and-Seek, Switch-and-Go, Point-and-Focus
	Preset Modes	CAL Switch (DICOM, CAL1, CAL2, Custom, sRGB, Text)
OSD Languages		English, German, French, Italian, Japanese, Simplified Chinese, Spanish, Swedish, Traditional Chinese
Physical Specifications	Net Weight	15.6 kg
	Net Weight (Without Stand)	11.5 kg
	Hole Spacing (VESA Standard)	100 x 100 mm
Certifications & Standards (Please contact EIZO for the latest information.)		CE (Medical Device), EN60601-1, ANSI/AAMI ES60601-1, CSA C22.2 No. 601-1, IEC60601-1, VCCI-B, FCC-B, CAN ICES-3 (B), RCM, RoHS, China RoHS, WEEE, CCC, EAC
FDA		510(k) Clearance for Breast Tomosynthesis, Mammography, and General Radiography
Dedicated Software	Monitor Quality Control	Supported
	Software RadiCS	
Supplied Accessories (May vary by country. Please contact EIZO for details.)	Signal Cables	DisplayPort (3 m) x 2, HDMI (2 m)
	Others	AC power cord (3 m), USB cable (3 m) x 2, cable cover, Utility Disk (RadiCS LE, PDF installation manual), instructions for use
	Warranty	Five Years

Dimensions (Unit : mm)



## EIZO Inc.

5710 Warland Dr, Cypress, CA 90630 USA  
Phone 562-431-5011, Fax 562-431-4811

[www.eizo.com](http://www.eizo.com)

EIZO, the EIZO Logo, RadiForce and RadiCS are registered trademarks of EIZO Corporation in Japan and other countries. RadiLight is trademark of EIZO Corporation. DICOM is the registered trademark of the National Electrical Manufacturers Association for its standards publications relating to digital communications of medical information. All other company names, product names, and logos are trademarks or registered trademarks of their respective companies. Specifications are subject to change without notice.

Copyright © 2021 EIZO Inc. All rights reserved. (191007)